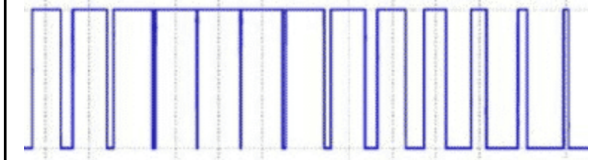
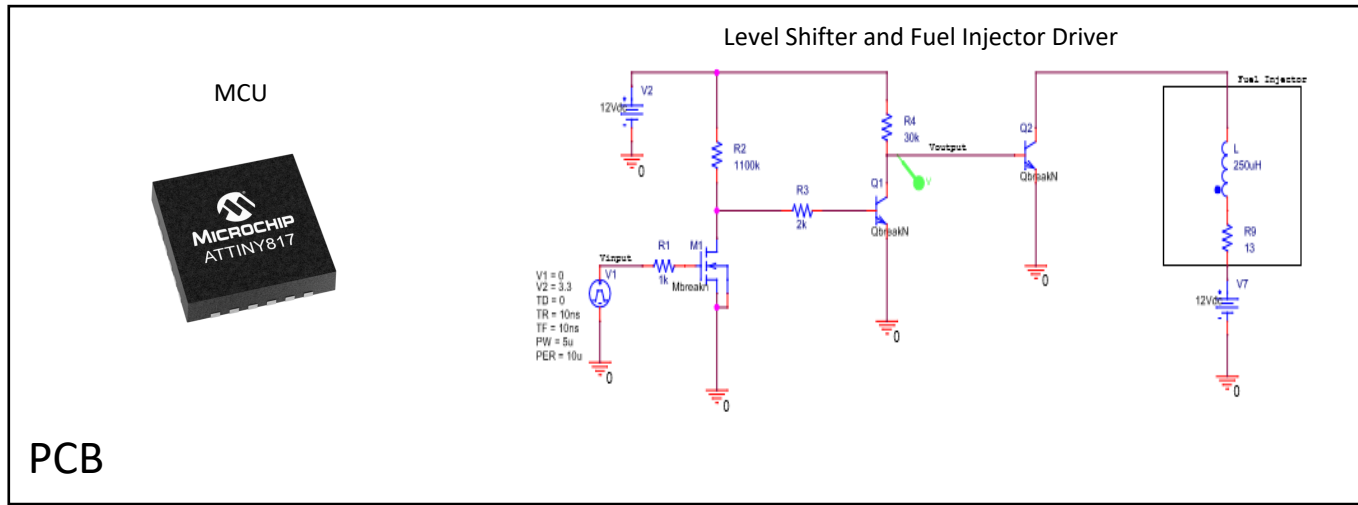


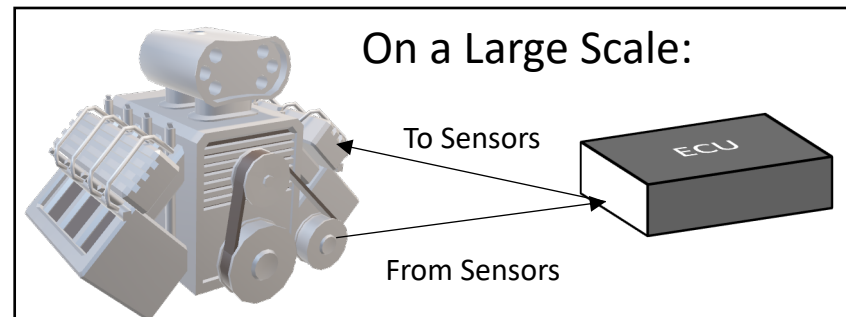
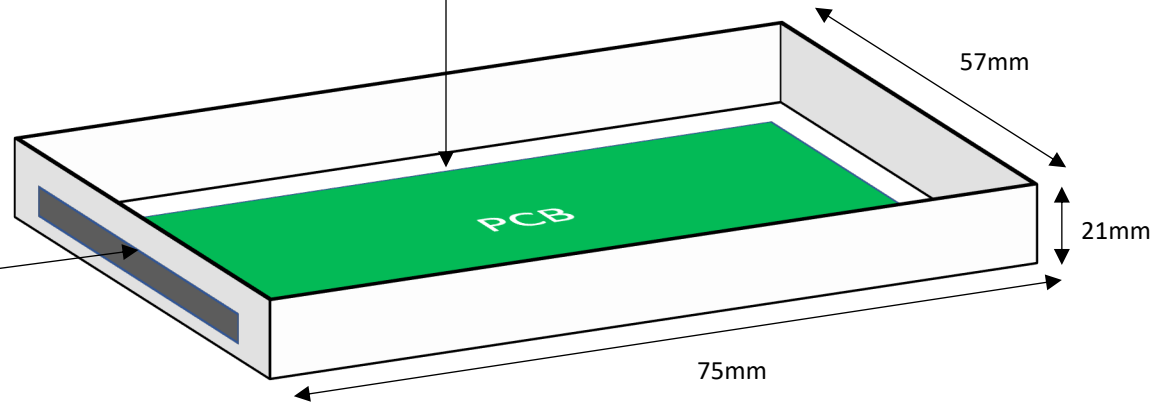
Analog Sensor Inputs



To Injector

Sensors On Engine

"Harness"



On a Large Scale:

To Sensors

From Sensors

"Harness" is a cable that splits into connections for all the engine sensors/components being used.

IKU ECU